

MODELS



WALL



MONO



DUO



MULTI

VERSIONS

Paraflex classic holder
Traditional – SQ 190 / R 270



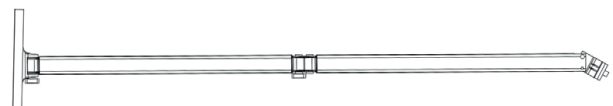
185 (6')



Paraflex Neo holder
Contemporary – SQ 230 / R 300



200 (6'7")



POSITIONS

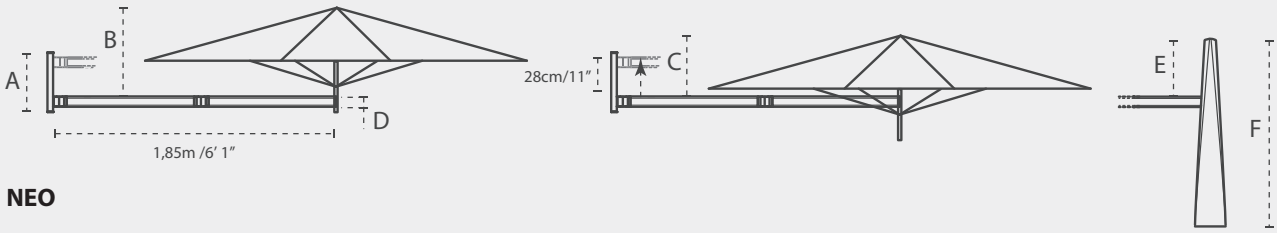


COLORS

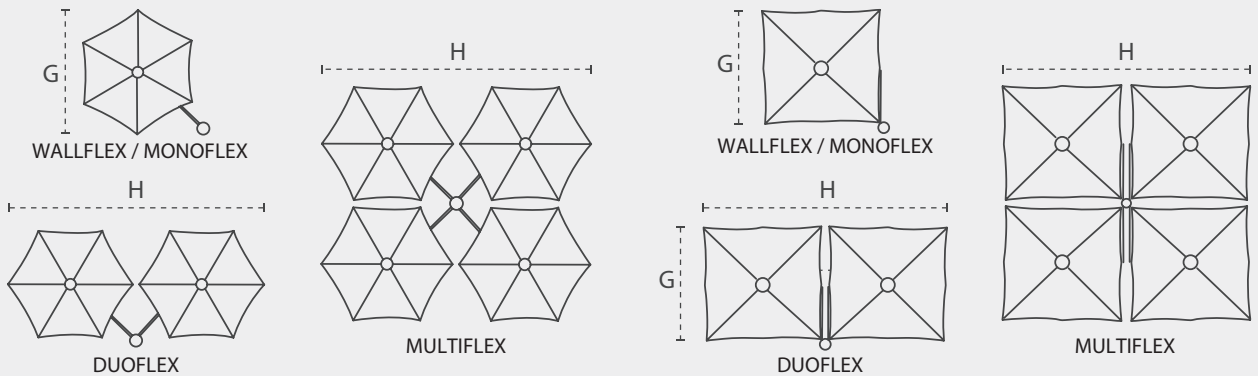
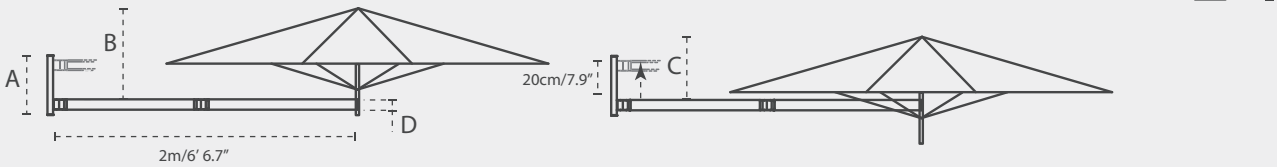
	Marble	Curacao	Mint	Blush	Pepper	Almond	Sand	Blue Storm	Flanelle	Black
SUNBRELLA										
SOLIDUM					All colors of the Sunbrella fabric range furniture grade Solids' (no stripes or patterns) are available on special request with a minimum order quantity of 10 pcs. Contact Umbrosa for more information.					
	Natural	Canvas	Grey	Taupe						

DIMENSIONS

CLASSIC



NEO



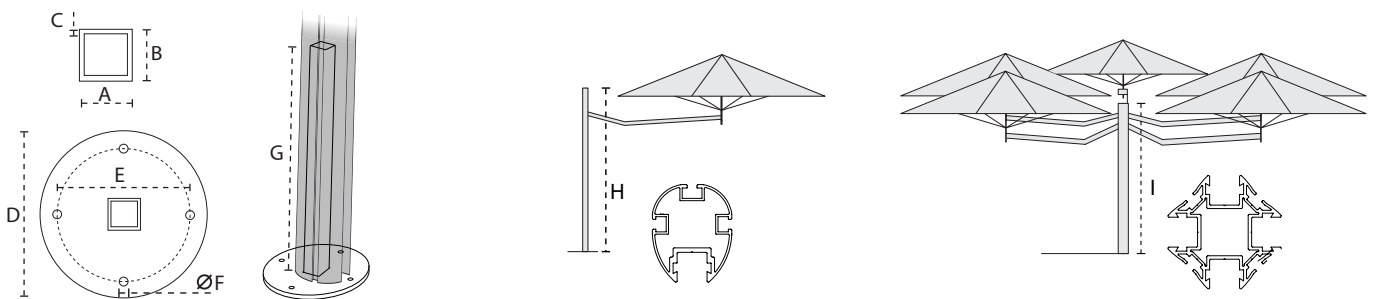
	+/- 2% T - - - - I	A cm/inch	B cm/ft	C cm/ft	D cm/inch	E cm/ft	F cm/ft	G cm/ft	H cm/ft
	2.7m/8' 10"	34/13.4"	70/2' 3.5"	45/1' 6"	6/2.4"	45/1' 6"	135/4' 5"	270/8' 10"	540/17' 9"
	3m/9' 10"	34/13.4"	70/2' 3.5"	45/1' 6"	6/2.4"	45/1' 6"	150/4' 11"	300/9' 10"	600/19' 8"
	1.9m/6' 3"	34/13.4"	70/2' 3.5"	45/1' 6"	6/2.4"	45/1' 6"	135/4' 5"	190/6' 3"	380/12' 6"
	2.3m/7' 6.6"	34/13.4"	70/2' 3.5"	45/1' 6"	6/2.4"	45/1' 6"	163/5' 4"	230/7' 7"	460/15' 1"

ROUND SUPPORT AND POLE OPTIONS

ROUND SUPPORT

SINGLE POLE

MULTI POLE

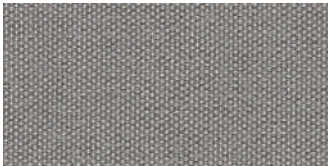


Material: Galvanised steel 8mm/0.3"

	A mm/inch	B mm/inch	C mm/inch	D mm/inch	E mm/inch	F mm/inch	G mm/inch	H cm/ft	I cm/ft
Round Support	40/1.6"	40/1.6"	3/0.12"	215/8.5"	170/6.7"	11/0.43"	490/19"	220/7'3"	230/7'6"

For non-permanent base options – see spec sheet Installation Options

MATERIALS



FABRIC
 Solidum – 100% Acryl 250 gr/m²
 Sunbrella – 100% Acryl 260 gr/m²
 More details – see spec sheet Fabrics



RIBS
 Naturally anodized aluminum profiles



POLE
 Naturally anodized aluminum

OTHER MATERIALS
 Grip: PA6 30% Glass fiber
 Gear plates of stainless steel
 Umbrella parts: PA6
 Hinges: marine grade, stainless steel (316)

For projects – consult Umbrosa for powder coating finish options (RAL).
 Contact us for the details on the MOQ.

PACKAGING & TRANSPORT

PARAFLEX	L (cm)	W (cm)	H (cm)	Weight (kg)	L (ft)	W (ft)	H (ft)	Weight (lbs)
Box classic holder 1,85m/6'11"	107,0	15,3	16,5	5,00	3'6"	6"	6"1/2	11.0
Box Neo holder 2m/6'6.7"	107,0	15,3	16,5	5,31	3'6"	6"	6"1/2	11.7
Box single pole 2,2m/7'3"	225,5	10,0	8,5	5,81	7'4"	4"	3"	12.8
Box multi pole 2,3m/7'6"	235,0	13,0	13,0	9,00	7'8"1/2	5"	5"	19.8
Umbrella	max. 190	15,0	15,0	2,62-4,06	Max 6'3"	6"	6"	5.7-8.9

NICE TO KNOW

- Spare parts available
- Designed and manufactured in Belgium
- Warranty between 10 and 2 years, please consult our warranty policy at www.umbrosa.com
- Download owner's manual (QR-code included), also available at www.umbrosa.com
- Storage bag optional (PU coated fabric)
- Wind speeds up to 6 beaufort, 50 km/h, 31 mph when base is permanently fixed (for details, please check our pricelist)
- Tested at TU Delft

SAFETY STATEMENTS & WARNINGS

- Product is suitable for light wind and/or light rain only.
- Position product in direction of wind as recommended in user manual.
- Do not use product in inclement weather, such as strong wind, thunderstorms, heavy rain or snow, and make sure that the umbrella is closed and stored in advance.
- Never allow the umbrella to flap in the wind. This could cause personal injury, damage to personal property, damage to umbrella and/or umbrella canopy.
- Close product and secure strap when not in use.
- Do not use product without its base or unless attached to building structure, and keep umbrella secured to umbrella base or mount at all times.
- Do not use product over or near harsh chemicals or open flames.
- Place product on stable and level surface.
- Do not allow children to assemble or operate product.
- Do not leave product unattended.
- Store product indoors during winter and extreme weather conditions.
- When adjusting or assembling the umbrella or umbrella base, make sure fingers, toes or any other parts of the body are clear from moving parts. Failing to do so may result in serious injury.
- Only use Umbrosa replacement parts.
- Read owner's manual.
- Any modifications to the product or failure to follow recommended care will void the warranty.
- Wind damage is not covered under our limited warranty.

The content of this document, in particular the mentioned models, is protected by copyrights and/or design rights. The present document and its content is communicated to you for information purposes only. Any partial or total reproduction or any other use without our prior written permission is strictly prohibited. This technical sheet remains subject to possible changes. Of course we do our best to eliminate all mistakes, but Umbrosa is not responsible for the errors in the documentation of products. All measurements are approximate and are provided for informational purposes only.

MODEL

FULL BLACK

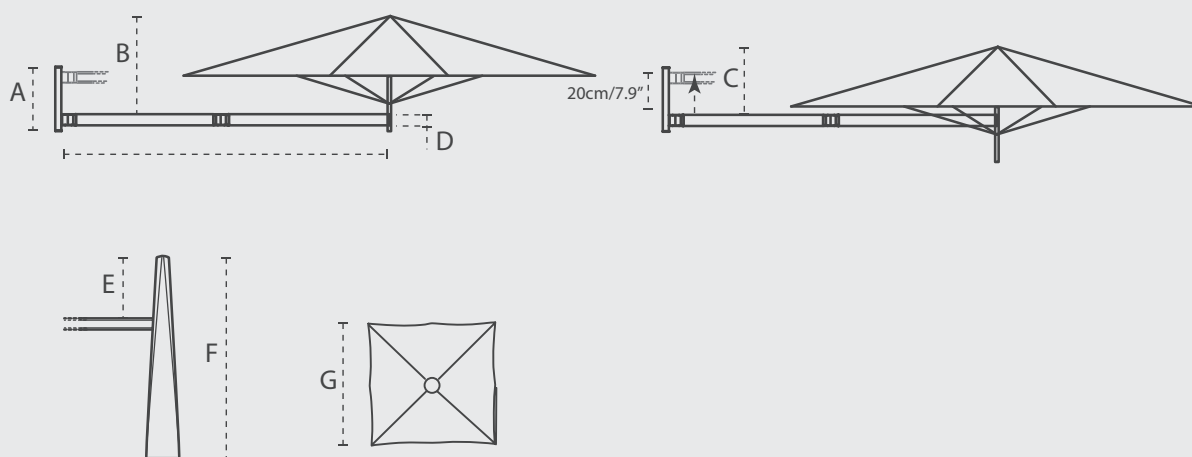


Sunbrella
Black

RAL9005
Black

DIMENSIONS

PARAFLEX UX



+/- 2%
± 1

A
cm/inch

B
cm/ft

C
cm/ft

D
cm/inch

E
cm/ft

F
cm/ft

G
cm/ft



2,3m/7' 6.6"

34/13.4"

70/2' 3.5"

45/1' 6"

6/2.4"

45/1' 6"

163/5' 4"

230/7' 7"

MATERIALS



FABRIC

Sunbrella – 100% Acryl 260 gr/m²

More details – see spec sheet

Fabrics



RIBS

Aluminum, powder coated

RAL 9005



ARM AND WALL PROFILE

Aluminum, powder coated RAL 9005



HINGES

Anodised Aluminum

Stainless steel 316, polished

PACKAGING & TRANSPORT

PARAFLEX UX	L (cm)	W (cm)	H (cm)	Weight (kg)	L (ft)	W (inch)	H (inch)	Weight (lbs)
Paraflex UX Holder	107	15.3	16.5	5	3'6"	6"	6"1/2	11
Umbrella	190	15	15	4,06	6'3"	6"	6"	8,9

NICE TO KNOW

- Spare parts available
- Designed and manufactured in Belgium
- Warranty between 10 and 2 years, please consult our warranty policy at www.umbrosa.com
- Download owner's manual (QR-code included), also available at www.umbrosa.com
- Storage bag included (Sunbrella Flanelle)
- Wind speeds up to 5 beaufort, 30 km/h, 18 mph when base is permanently fixed
- Tested at TU Delft

SAFETY STATEMENTS & WARNINGS

- Product is suitable for light wind and/or light rain only.
- Position product in direction of wind as recommended in user manual.
- Do not use product in inclement weather, such as strong wind, thunderstorms, heavy rain or snow, and make sure that the umbrella is closed and stored in advance.
- Never allow the umbrella to flap in the wind. This could cause personal injury, damage to personal property, damage to umbrella and/or umbrella canopy.
- Close product and secure strap when not in use.
- Do not use product without its base or unless attached to building structure, and keep umbrella secured to umbrella base or mount at all times.
- Do not use product over or near harsh chemicals or open flames.
- Place product on stable and level surface.
- Do not allow children to assemble or operate product.
- Do not leave product unattended.
- Store product indoors during winter and extreme weather conditions.
- When adjusting or assembling the umbrella or umbrella base, make sure fingers, toes or any other parts of the body are clear from moving parts. Failing to do so may result in serious injury.
- Only use Umbrosa replacement parts.
- Read owner's manual.
- Any modifications to the product or failure to follow recommended care will void the warranty.
- Wind damage is not covered under our limited warranty.

The content of this document, in particular the mentioned models, is protected by copyrights and/or design rights. The present document and its content is communicated to you for information purposes only. Any partial or total reproduction or any other use without our prior written permission is strictly prohibited. This technical sheet remains subject to possible changes. Of course we do our best to eliminate all mistakes, but Umbrosa is not responsible for the errors in the documentation of products. All measurements are approximate and are provided for informational purposes only.

MODELS



Triangle

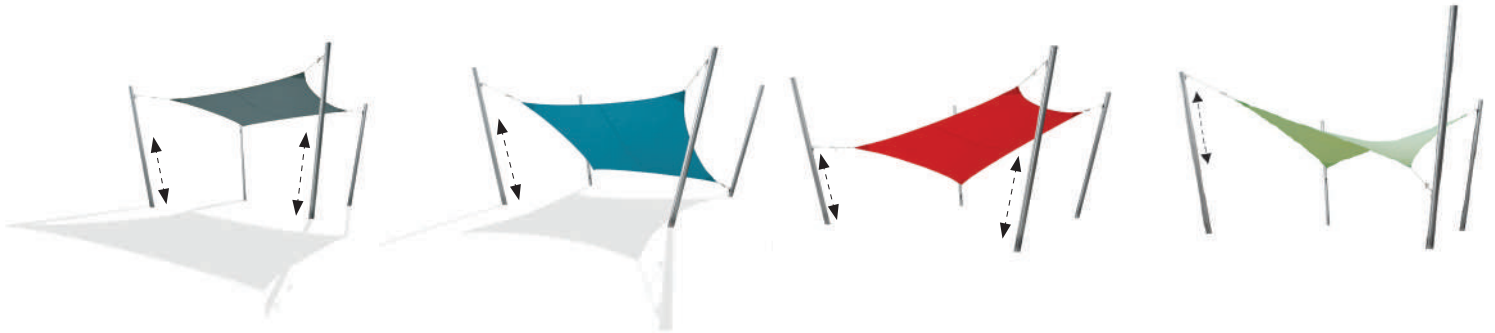


Square

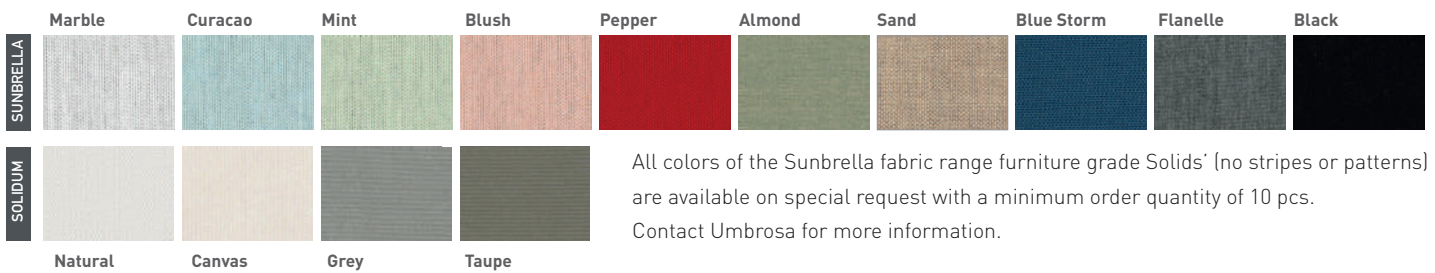


Rectangle

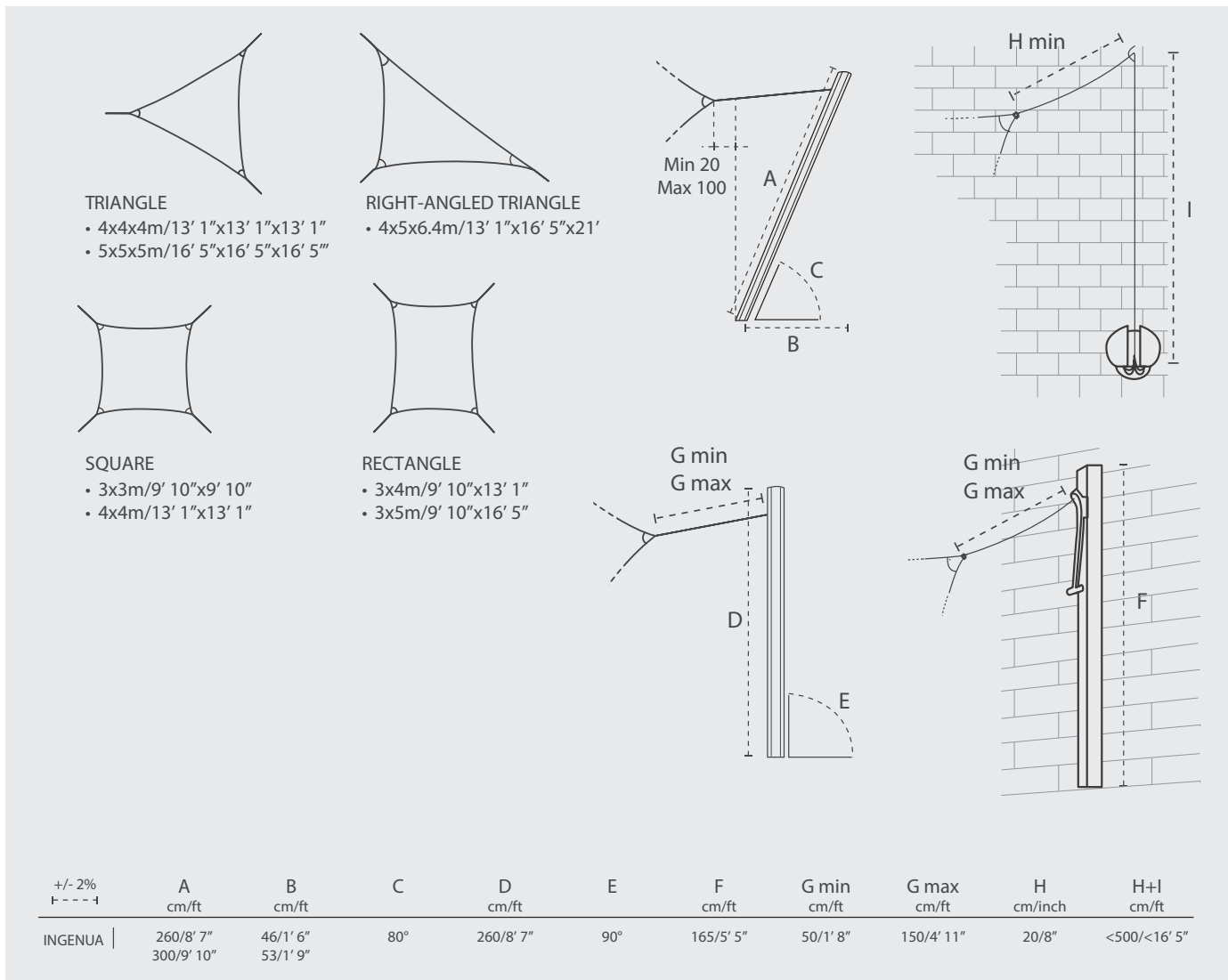
POSITIONS



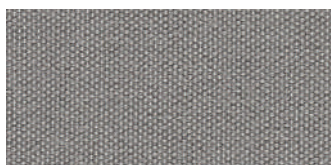
COLORS



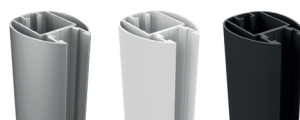
DIMENSIONS



MATERIALS



FABRIC
 Solidum – 100% Acryl 250 gr/m²
 Sunbrella – 100% Acryl 260 gr/m²
 More details – see spec sheet Fabrics



POLE
 Naturally anodized aluminum
 White – RAL 9016 TEC
 Dusk – RAL 8022 TEC



OTHER MATERIALS
 Carabiner: stainless steel 316 (marine grade)
 Handle: stainless steel 316 (casted & polished)
 Rope: Ø 6mm/0,24"

For projects – consult Umbrosa for powder coating finish options (RAL).
 Contact us for the details on the MOQ.

PACKAGING & TRANSPORT

Ingenua	L (cm)	W (cm)	H (cm)	Weight (kg)	L (ft)	W (inch)	H (inch)	Weight (lbs)
Box pole	270	10	8,5	7,3	8'10"	4"	3"	16
Bag Sail	45	55	16	2,23 - 5,26	1'5"	1'10"	6"	5-11

NICE TO KNOW

- Spare parts available
- Designed and manufactured in Belgium
- Warranty between 10 and 2 years, please consult our warranty policy at www.umbrosa.com
- Download owner's manual (QR-code included), also available at www.umbrosa.com
- Storage bag included (PU coated fabric)
- Wind speeds up to 6 beaufort, 50 km/h, 31 mph when base is permanently fixed (for details, please check our pricelist)
- Tested at TU Delft

SAFETY STATEMENTS & WARNINGS

- Product is suitable for light wind and/or light rain only.
- Position product in direction of wind as recommended in user manual.
- Do not use product in inclement weather, such as strong wind, thunderstorms, heavy rain or snow, and make sure that the umbrella is closed and stored in advance.
- Never allow the umbrella to flap in the wind. This could cause personal injury, damage to personal property, damage to umbrella and/or umbrella canopy.
- Close product and secure strap when not in use.
- Do not use product without its base or unless attached to building structure, and keep umbrella secured to umbrella base or mount at all times.
- Do not use product over or near harsh chemicals or open flames.
- Place product on stable and level surface.
- Do not allow children to assemble or operate product.
- Do not leave product unattended.
- Store product indoors during winter and extreme weather conditions.
- When adjusting or assembling the umbrella or umbrella base, make sure fingers, toes or any other parts of the body are clear from moving parts. Failing to do so may result in serious injury.
- Only use Umbrosa replacement parts.
- Read owner's manual.
- Any modifications to the product or failure to follow recommended care will void the warranty.
- Wind damage is not covered under our limited warranty.

MODELS



Round



Square

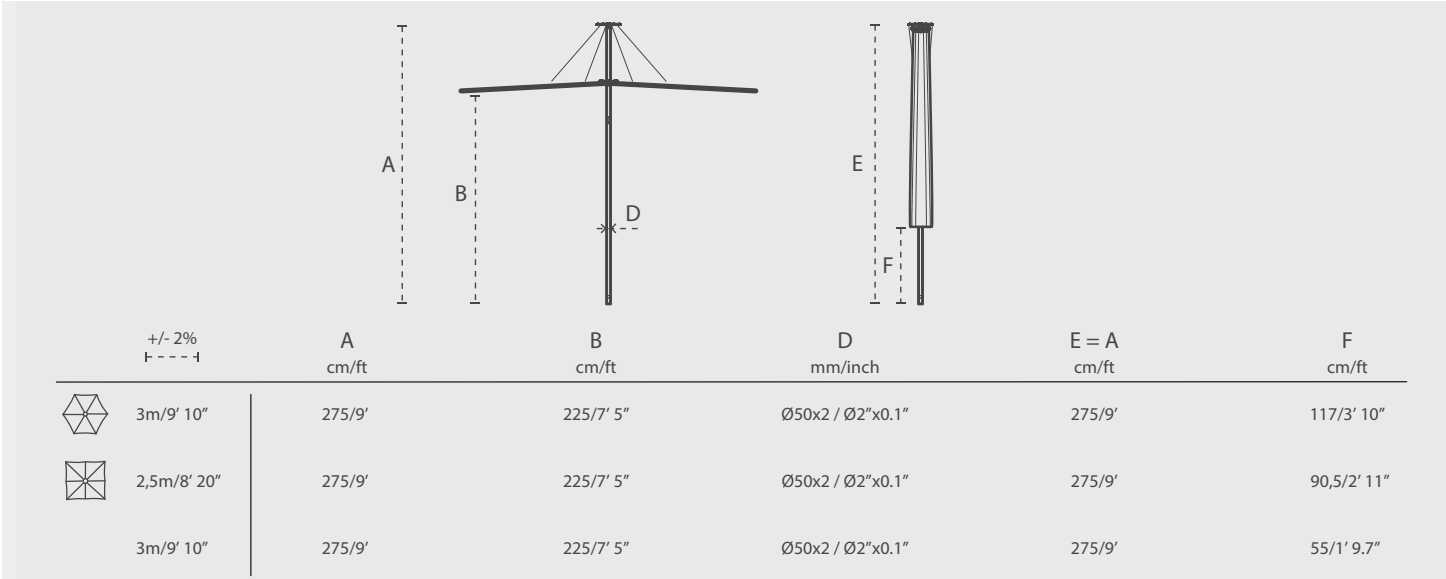
POSITIONS



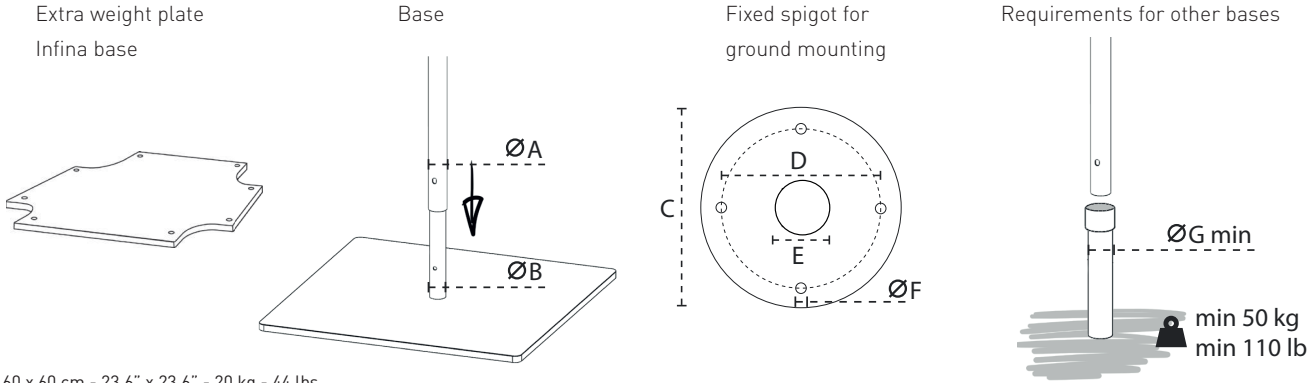
COLORS

SUNBRELLA	Marble	Curacao	Mint	Blush	Pepper	Almond	Sand	Blue Storm	Flanelle	Black
SOLIDUM	Natural	Canvas	Grey	Taupe	All colors of the Sunbrella fabric range furniture grade Solids' (no stripes or patterns) are available on special request with a minimum order quantity of 10 pcs. Contact Umbrosa for more information.					

DIMENSIONS



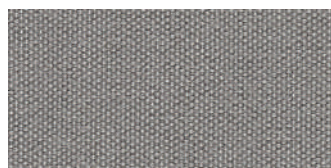
DIMENSIONS FOR BASE AND ROUND SUPPORT



60 x 60 cm - 23.6" x 23.6" - 20 kg - 44 lbs
galvanized
(compulsory for 3x3 square)
For non-permanent base options -
see spec sheet Installation Options

	A mm/inch	B mm/inch	C mm/inch	D mm/inch	E mm/inch	F mm/inch	G mm/inch
spigot and pole dimensions	50/2"	45/1.8"	215/8.5"	170/6.7"	45/1.8"	11/0.43"	52/2.1"

MATERIALS



FABRIC

Solidum – 100% Acryl 250 gr/m²

Sunbrella – 100% Acryl 260 gr/m²

More details – see spec sheet Fabrics

Confection Scheme:



3m RO



2,5m SQ



3m SQ Sunbrella



RIBS

Naturally anodized aluminum



POLE

Naturally anodized aluminum or powder coated aluminum RAL 8022 (Dusk)



OTHER MATERIALS

Cables : stainless steel Ø 2mm

Top plate : aluminum powder coated RAL 7047 TEC (Grey) or RAL 8022 TEC (Dusk)

Hub: marine grade stainless steel (316)

Rope: Ø 5mm

For projects – consult Umbrosa for powder coating finish options (RAL).

Contact us for the details on the MOQ.

PACKAGING & TRANSPORT

Infina	L (cm)	W (cm)	H (cm)	Weight (kg)	L (ft)	W (inch)	H (inch)	Weight (lbs)
Umbrella box	281	27	27	11	9'2"	10"	10"1/2	24.2

NICE TO KNOW

- Spare parts available
- Designed and manufactured in Belgium
- Warranty between 10 and 2 years, please consult our warranty policy at www.umbrosa.com
- Download owner's manual (QR-code included), also available at www.umbrosa.com
- Storage bag included (PU coated fabric)
- Wind speeds up to 6 beaufort, 50 km/h, 31 mph when base is permanently fixed (for details, please check our pricelist)
- Tested at TU Delft

SAFETY STATEMENTS & WARNINGS

- Product is suitable for light wind and/or light rain only.
- Position product in direction of wind as recommended in user manual.
- Do not use product in inclement weather, such as strong wind, thunderstorms, heavy rain or snow, and make sure that the umbrella is closed and stored in advance.
- Never allow the umbrella to flap in the wind. This could cause personal injury, damage to personal property, damage to umbrella and/or umbrella canopy.
- Close product and secure strap when not in use.
- Do not use product without its base or unless attached to building structure, and keep umbrella secured to umbrella base or mount at all times.
- Do not use product over or near harsh chemicals or open flames.
- Place product on stable and level surface.
- Do not allow children to assemble or operate product.
- Do not leave product unattended.
- Store product indoors during winter and extreme weather conditions.
- When adjusting or assembling the umbrella or umbrella base, make sure fingers, toes or any other parts of the body are clear from moving parts. Failing to do so may result in serious injury.
- Only use Umbrosa replacement parts.
- Read owner's manual.
- Any modifications to the product or failure to follow recommended care will void the warranty.
- Wind damage is not covered under our limited warranty.

The content of this document, in particular the mentioned models, is protected by copyrights and/or design rights. The present document and its content is communicated to you for information purposes only. Any partial or total reproduction or any other use without our prior written permission is strictly prohibited. This technical sheet remains subject to possible changes. Of course we do our best to eliminate all mistakes, but Umbrosa is not responsible for the errors in the documentation of products. All measurements are approximate and are provided for informational purposes only.

MODELS

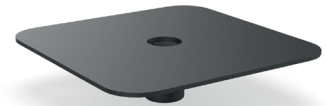
FULL BLACK



Sunbrella
Black

RAL9005
Black

INFINA TABLE



- Adjustable in height
- Ideal size for bottle cooler and glasses
- Fits all Infina models
- Available in RAL 9005 Black and RAL 1013 Limestone Beige
- Cover in wood optional

SAND



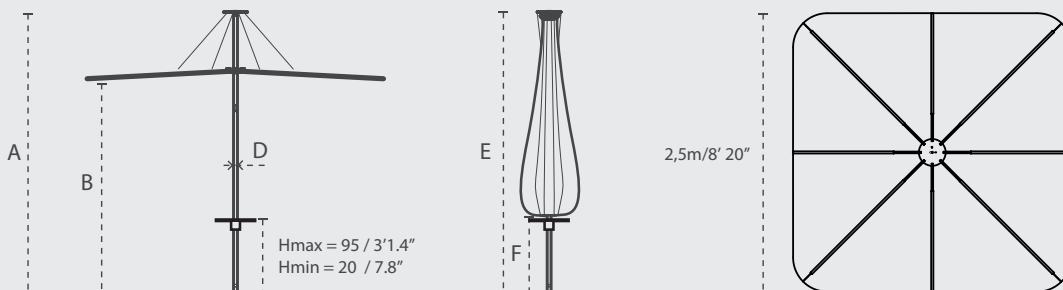
Sunbrella
Sand

RAL 1013
Beige
Limestone

INFINA WOODEN COVER TABLE



DIMENSIONS



+/- 2%
T-----I

A
cm/ft

B
cm/ft

D
mm/inch

E = A
cm/ft

F
cm/ft



2,5m/8' 20"

275/9'

225/7' 5"

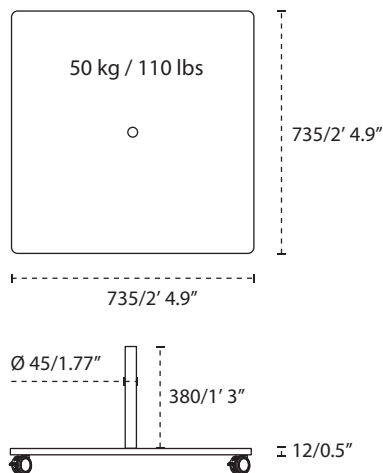
Ø50x2 / Ø2"x0.1"

275/9'

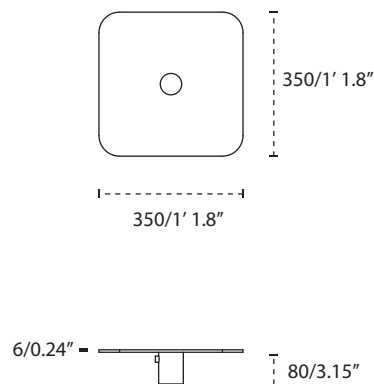
105/3' 5.3"

DIMENSIONS BASE AND TABLE (MM/FT)

BASE



TABLE



MATERIALS



FABRIC

Sunbrella – 100% Acryl 260 gr/m²
More details – see spec sheet Fabrics



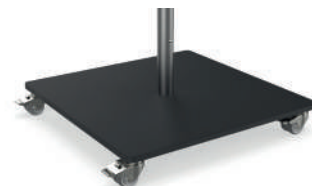
RIBS AND HUB

Aluminum ribs, powder coated
Stainless steel 316 hub, polished



POLE

Aluminum Ø50 mm / 1.97"
powder coated RAL 9005 Black and
RAL 1013 Limestone Beige



BASE

Galvanised steel, powder coated
RAL 9005 Black and RAL 1013
Limestone Beige



TABLE

Aluminum, powder coated
Height adjustable



WOODEN COVER

Bamboo, For Infina UX Full Black
and Infina UX Sand

PACKAGING & TRANSPORT

INFINA UX	L (cm)	W (cm)	H (cm)	Weight (kg)	L (ft)	W (ft)	H (ft)	Weight (lbs)
Umbrella box	281	27	27	13	9'2.6"	10.6"	10.6"	28.6
Base	66	64	4	50	2'2"	2'1"	1'6"	110
Table	40	40	10	2	1'3.7"	1'3.7"	3.9"	4.4

NICE TO KNOW

- Spare parts available
- Designed and manufactured in Belgium
- Warranty between 10 and 2 years, please consult our warranty policy at www.umbrosa.com
- Download owner's manual (QR-code included), also available at www.umbrosa.com
- Storage bag included (Sunbrella Flanelle)
- Wind speeds up to 5 beaufort, 30 km/h, 18 mph when base is permanently fixed
- Tested at TU Delft

SAFETY STATEMENTS & WARNINGS

- Product is suitable for light wind and/or light rain only.
- Position product in direction of wind as recommended in user manual.
- Do not use product in inclement weather, such as strong wind, thunderstorms, heavy rain or snow, and make sure that the umbrella is closed and stored in advance.
- Never allow the umbrella to flap in the wind. This could cause personal injury, damage to personal property, damage to umbrella and/or umbrella canopy.
- Close product and secure strap when not in use.
- Do not use product without its base or unless attached to building structure, and keep umbrella secured to umbrella base or mount at all times.
- Do not use product over or near harsh chemicals or open flames.
- Place product on stable and level surface.
- Do not allow children to assemble or operate product.
- Do not leave product unattended.
- Store product indoors during winter and extreme weather conditions.
- When adjusting or assembling the umbrella or umbrella base, make sure fingers, toes or any other parts of the body are clear from moving parts. Failing to do so may result in serious injury.
- Only use Umbrosa replacement parts.
- Read owner's manual.
- Any modifications to the product or failure to follow recommended care will void the warranty.
- Wind damage is not covered under our limited warranty.

MODELS



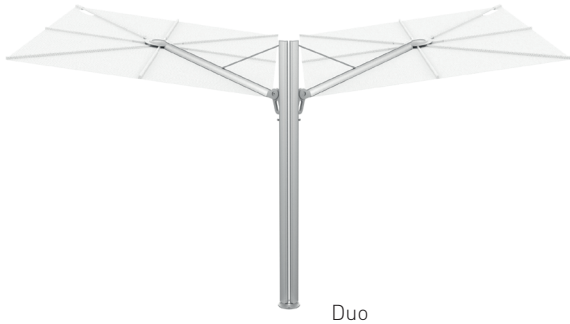
Straight



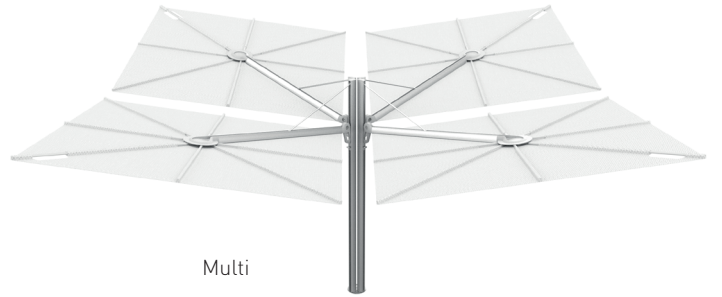
Forward



Opposite

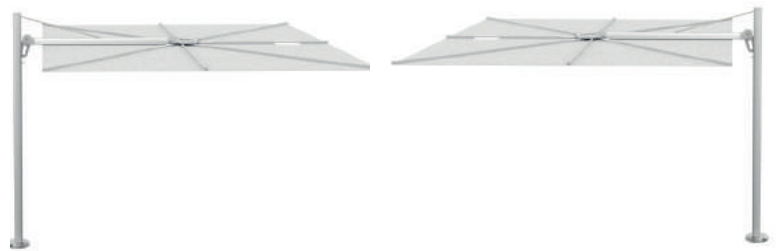


Duo



Multi

POSITIONS



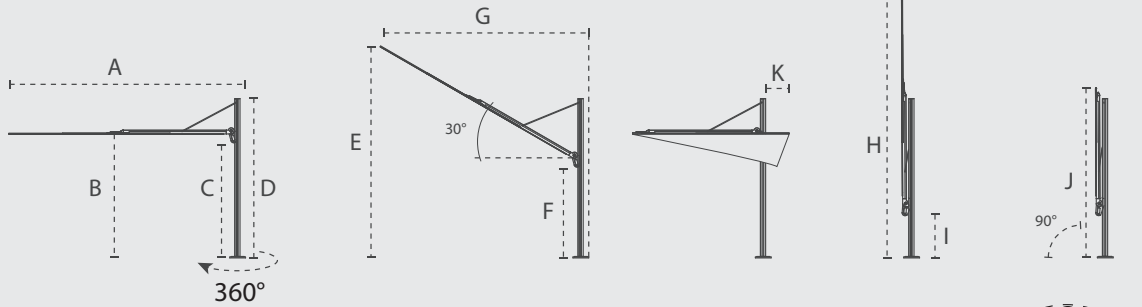
COLORS

	Marble	Curacao	Mint	Blush	Pepper	Almond	Sand	Blue Storm	Flanelle	Black
SUNBRELLA										
SOLIDUM										
	Natural	Canvas	Grey	Taupe						

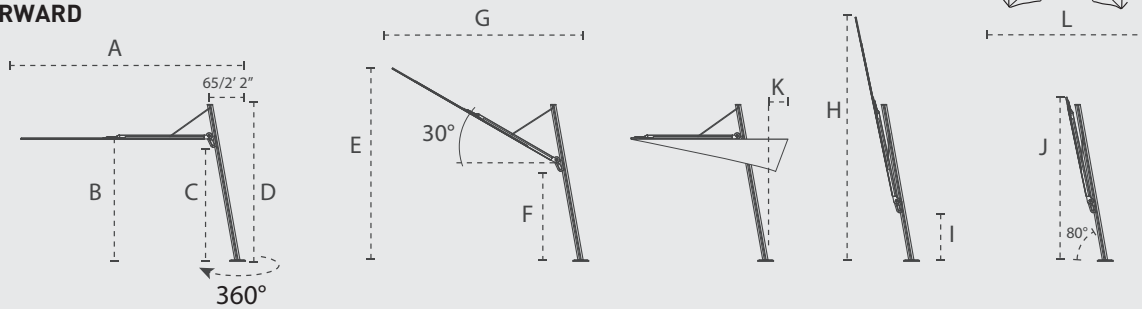
All colors of the Sunbrella fabric range furniture grade Solids' (no stripes or patterns) are available on special request with a minimum order quantity of 10 pcs. Contact Umbrosa for more information.

DIMENSIONS

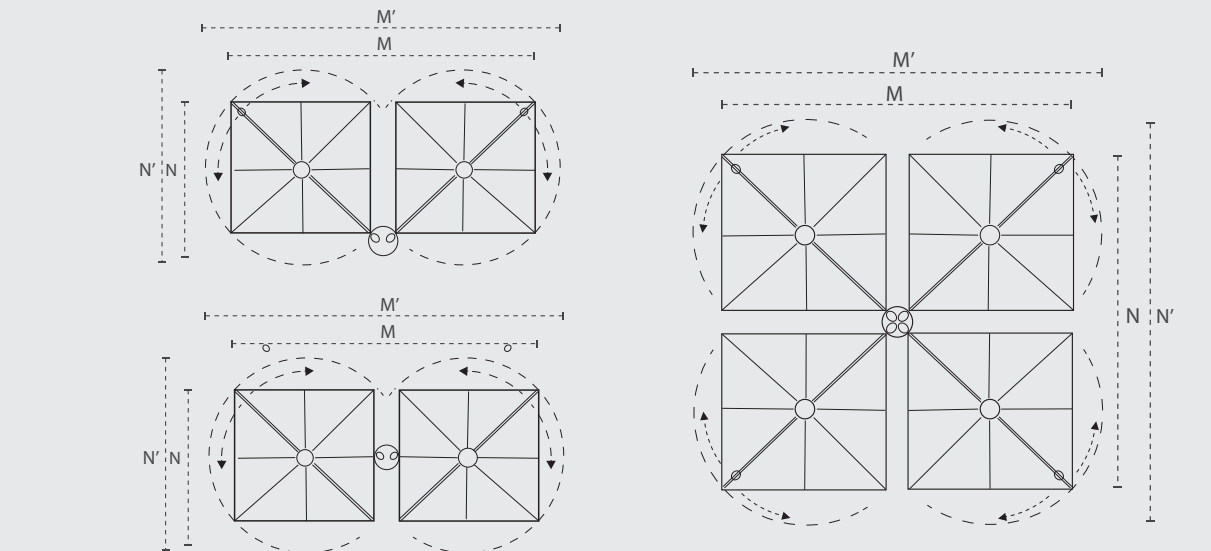
STRAIGHT



FORWARD



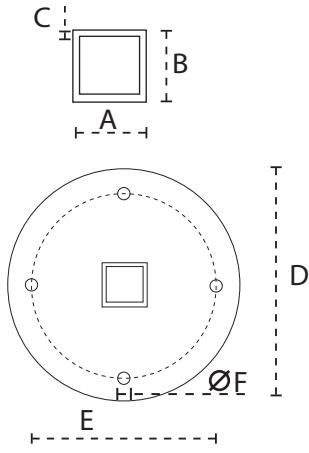
		A	B	C	D	E	F	G	H	I	J	K	L
		cm/ft	cm/ft	cm/ft	cm/ft	cm/ft	cm/ft	cm/ft	cm/ft	cm/ft	cm/ft	cm/ft	cm/ft
Straight	2.5m/8' 2"	295/9' 8"	200/6' 7"	185/6' 1"	260/8' 7"	270/8' 10.3"	135/4' 5"	240/7' 10.5"	360/11' 10"	90/2' 11"	260/8' 7"	35/1' 1.8"	370/12' 2"
	3m/9' 10"	345/11' 4"	205/6' 9"	185/6' 1"	260/8' 7"	280/9' 2"	140/4' 7"	250/8' 2.4"	400/13' 2"	80/2' 8"	270/8' 10"	50/1' 7.7"	435/14' 3"
Forward	2.5m/8' 2"	330/10' 10"	195/6' 5"	180/5' 11"	255/8' 8"	270/8' 10.3"	135/4' 5"	305/10'	350/11' 6"	90/2' 11"	260/8' 7"	0/0"	370/12' 2"
	3 m/9' 10"	380/12' 6"	195/6' 5"	180/5' 11"	255/8' 8"	280/9' 2"	140/4' 7"	315/10' 4"	390/12' 10"	80/2' 8"	260/8' 7"	5/1' 9.7"	435/14' 3"



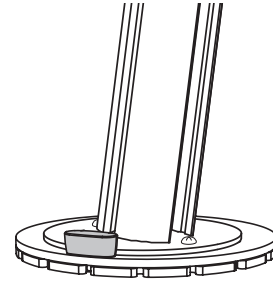
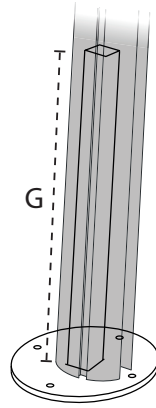
		A	B	C	D	E	F	G	J	I	M	M'	N	N'
		cm/ft	cm/ft	cm/ft	cm/ft	cm/ft	cm/ft	cm/ft	cm/ft	cm/ft	cm/ft	cm/ft	cm/ft	cm/ft
Spectra Duo		253/8' 4"	197/6' 6"	187/6' 2"	260/8' 7"	340/11' 2"	135/4' 5"	210/6' 10.7"	270/8' 10"	50/1' 7.7"	540/17' 9"	644/21' 2"	285/9' 4"	337/11' 1"
Spectra Multi		253/8' 4"	197/6' 6"	187/6' 2"	260/8' 7"	340/11' 2"	140/4' 7"	210/6' 10.7"	270/8' 10"	50/1' 7.7"	540/17' 9"	644/21' 2"	540/17' 9"	644/21' 2"
Opposite 250		295/9' 8"	200/6' 7"	185/6' 1"	260/8' 7"	270/8' 10"	110/3' 7"	240/7' 10.5"	260/8' 6.4"	90/2' 11.4"	560/18' 4.5"	n/a	250/8' 2"	370/12' 2"
Opposite 300		345/11' 4"	205/6' 9"	185/6' 1"	260/8' 7"	280/9' 2"	110/3' 7"	250/8' 2.4"	270/8' 10"	80/2' 7.5"	660/21' 7.8"	n/a	300/9' 10"	435/14' 3"

DIMENSIONS / MATERIALS SPIGOT

SINGLE

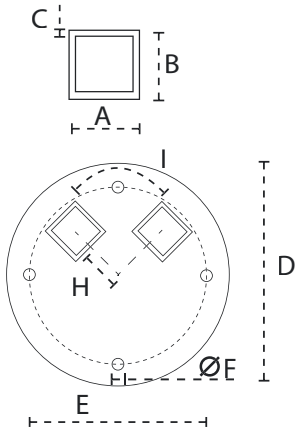


Material: Galvanised steel 8mm/0.3"

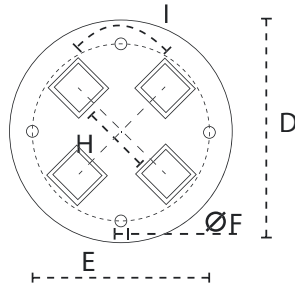


Geomet (marine grade)
coated steel 8mm/0.3"
Nylon 1mm/0.04"

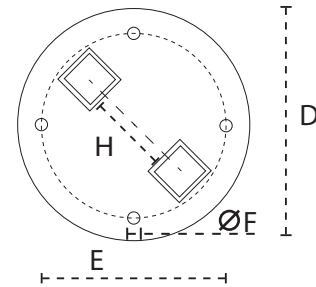
DUO



MULTI

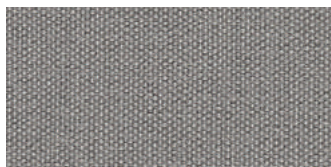


OPPOSITE



	A	B	C	D	E	F	G	H	I
	mm/inch	mm/inch	mm/inch	mm/inch	mm/inch	mm/inch	mm/inch	mm/inch	mm/inch
Straight/Forward	40/1.6"	40/1.6"	3/0.12"	215/8.5"	170/6.7"	11/0.43"	490/17.3"	-	-
Duo	40/1.6"	40/1.6"	3/0.12"	215/8.5"	170/6.7"	11/0.43"	490/17.3"	40/1.6"	45
Multi	40/1.6"	40/1.6"	3/0.12"	215/8.5"	170/6.7"	11/0.43"	490/17.3"	80/3.1"	45
Opposite	40/1.6"	40/1.6"	3/0.12"	215/8.5"	170/6.7"	11/0.43"	490/17.3"	80/3.1"	-

MATERIALS



FABRIC

Solidum – 100% Acryl 250 gr/m²

Sunbrella – 100% Acryl 260 gr/m²

More details – see spec sheet Fabrics

Confection Scheme:



250 SQ
300 SQ



300 SQ Sunbrella



RIBS

Glass fiber ribs - Ø 16mm - 0.63"



POLE

Naturally anodized aluminum.

Also available in

White (RAL 9016 TEC) and Dusk (RAL 8022 TEC)



OTHER MATERIALS

Handle: casted aluminum, powder coated RAL 7047 TEC.

For White Spectra in RAL 9016 TEC.

For Dusk Spectra in RAL 8022 TEC.

For projects – consult Umbrosa for powder coating finish options (RAL).

Contact us for the details on the MOQ.

PACKAGING & TRANSPORT

Spectra	L (cm)	W (cm)	H (cm)	Weight (kg)	L (ft)	W (ft)	H (ft)	Weight (lbs)
Umbrella box	265	36	33	32	8'8"	1'2"	1'1"	70

NICE TO KNOW

- Spare parts available
- Designed and manufactured in Belgium
- Warranty between 10 and 2 years, please consult our warranty policy at www.umbrosa.com
- Download owner's manual (QR-code included), also available at www.umbrosa.com
- Storage bag included (PU coated fabric)
- Wind speeds up to 6 beaufort, 50 km/h, 31 mph when base is permanently fixed (for details, please check our pricelist)
- Tested at TU Delft

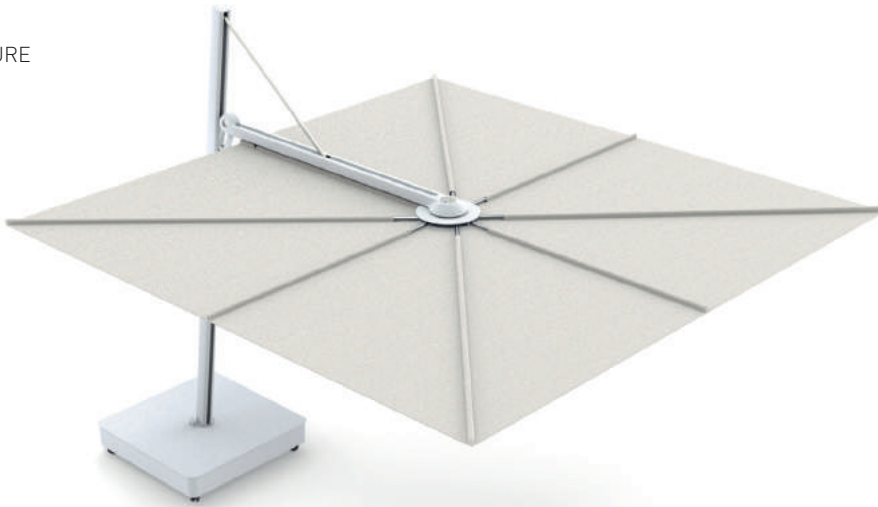
SAFETY STATEMENTS & WARNINGS

- Product is suitable for light wind and/or light rain only.
- Position product in direction of wind as recommended in user manual.
- Do not use product in inclement weather, such as strong wind, thunderstorms, heavy rain or snow, and make sure that the umbrella is closed and stored in advance.
- Never allow the umbrella to flap in the wind. This could cause personal injury, damage to personal property, damage to umbrella and/or umbrella canopy.
- Close product and secure strap when not in use.
- Do not use product without its base or unless attached to building structure, and keep umbrella secured to umbrella base or mount at all times.
- Do not use product over or near harsh chemicals or open flames.
- Place product on stable and level surface.
- Do not allow children to assemble or operate product.
- Do not leave product unattended.
- Store product indoors during winter and extreme weather conditions.
- When adjusting or assembling the umbrella or umbrella base, make sure fingers, toes or any other parts of the body are clear from moving parts. Failing to do so may result in serious injury.
- Only use Umbrosa replacement parts.
- Read owner's manual.
- Any modifications to the product or failure to follow recommended care will void the warranty.
- Wind damage is not covered under our limited warranty.

The content of this document, in particular the mentioned models, is protected by copyrights and/or design rights. The present document and its content is communicated to you for information purposes only. Any partial or total reproduction or any other use without our prior written permission is strictly prohibited. This technical sheet remains subject to possible changes. Of course we do our best to eliminate all mistakes, but Umbrosa is not responsible for the errors in the documentation of products. All measurements are approximate and are provided for informational purposes only.

MODELS

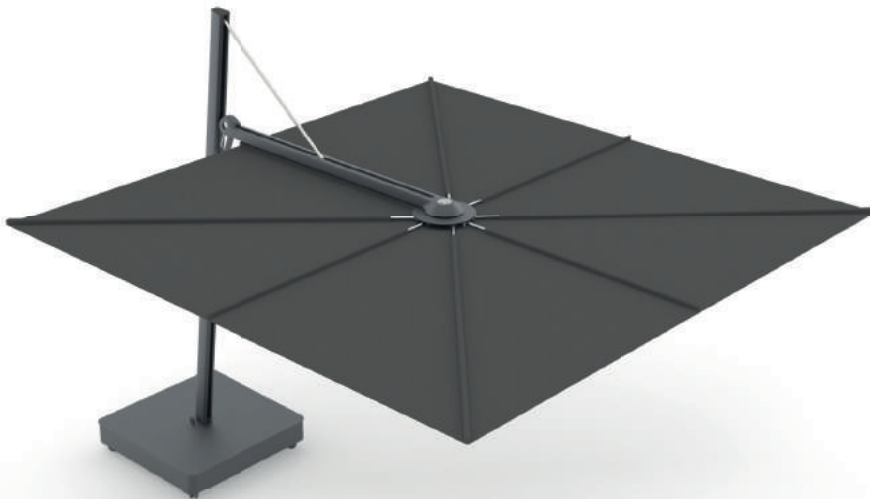
ARCHITECTURE



Sunbrella
Marble

RAL 9018
Papyrus White

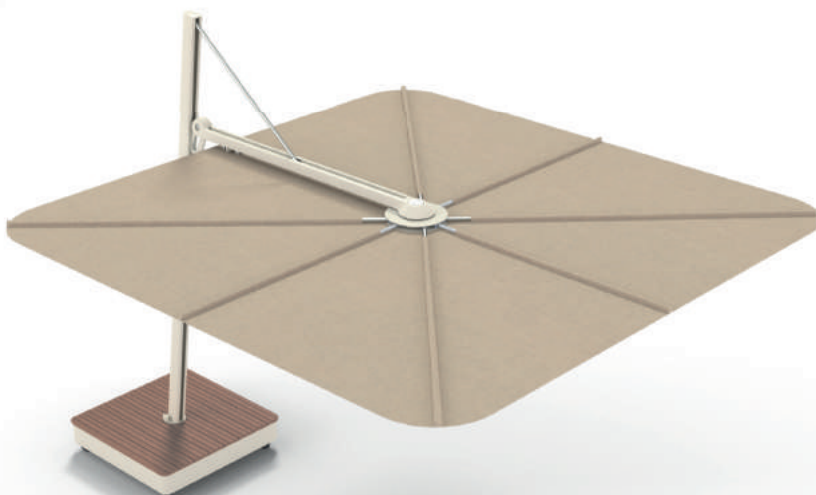
FULL BLACK



Sunbrella
Black

RAL9005 Black

SAND



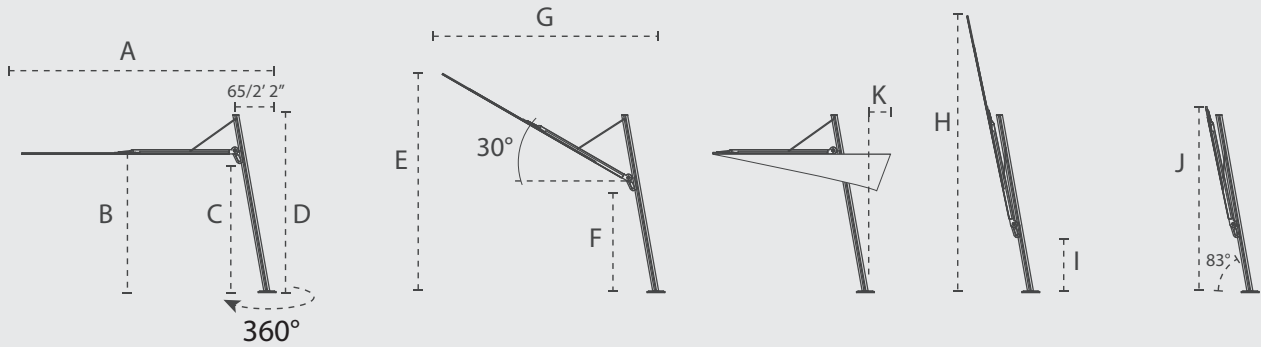
Sunbrella
Sand

RAL 1013
Beige
Limestone

SIPO

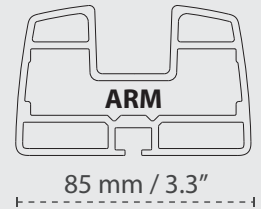
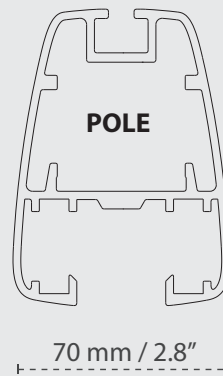
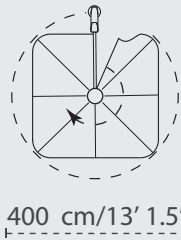
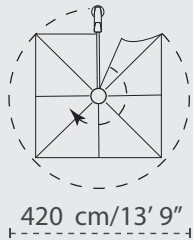
DIMENSIONS

ARCHITECTURE / FULL BLACK / SAND



ARCHITECTURE / FULL BLACK

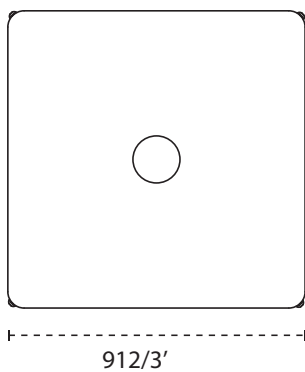
SAND



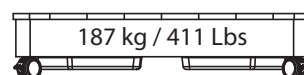
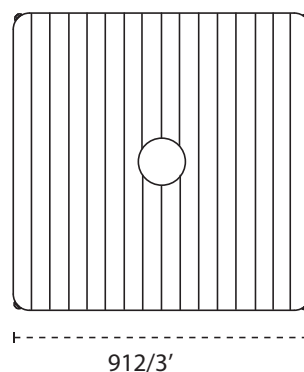
	A cm/ft	B cm/ft	C cm/ft	D cm/ft	E cm/ft	F cm/ft	G cm/ft	H cm/ft	I cm/ft	J cm/ft	K cm/ft
ARCHI / FULL BLACK 3 x 3 m / 9' 10" x 9' 10"	365/11' 12"	195/6' 5"	185/6' 1"	260/8' 6"	280/9' 2"	128/4' 2"	325/10' 8"	410/13' 5"	77/2' 6"	265/8' 8"	0/0"
SAND 3 x 3 m / 9' 10" x 9' 10"	365/11' 12"	195/6' 5"	185/6' 1"	260/8' 6"	280/9' 2"	128/4' 2"	325/10' 8"	410/13' 5"	77/2' 6"	265/8' 8"	0/0"

DIMENSIONS BASE (mm/ft)

ARCHITECTURE / FULL BLACK

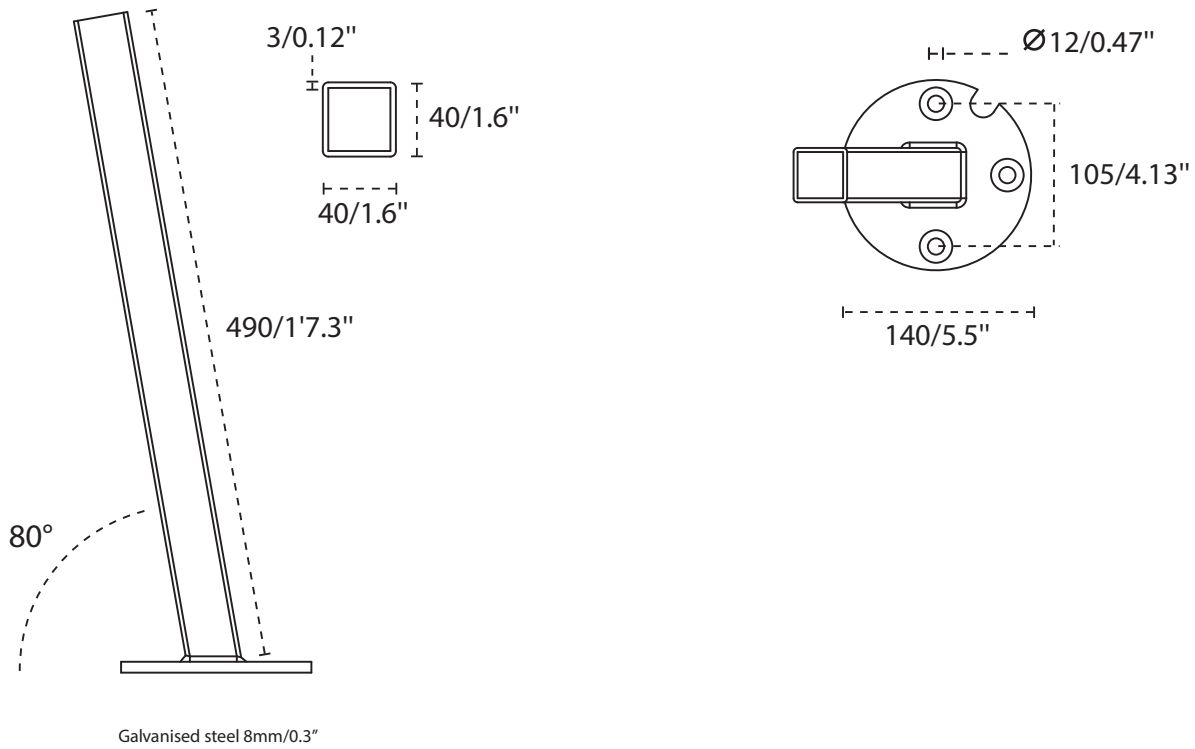


SAND



DIMENSIONS / MATERIALS SPIGOT (mm/ft)

ARCHITECTURE / FULL BLACK / SAND



MATERIALS



FABRIC

Sunbrella - 100% Acryl 260 gr/m²
More details - see spec sheet Fabrics



RIBS

Glass fiber ribs - Ø 16mm/0.63"



POLE

Aluminum,
powder coated



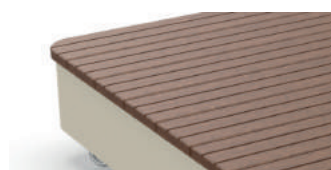
HANDLES

Casted aluminum, powder coated
Stainless steel 316, polished



ARCHITECTURE / FULL BLACK

Galvanised steel, powder coated
RAL 9018 Papyrus White and
RAL 9005 Black



BASE SAND

Galvanised steel, powder coated
RAL 1013 Limestone Beige,
wooden cover Sipo

PACKAGING & TRANSPORT

Versa UX	L (cm)	W (cm)	H (cm)	Weight (kg)	L (ft)	W (ft)	H (ft)	Weight (lbs)
Umbrella box	265	36	33	32	8'8"	1'2"	1'1"	70
Base box	95	95	24	35	8'8"	37'4"	37'4"	77

NICE TO KNOW

- Spare parts available
- Designed and manufactured in Belgium
- Warranty between 10 and 2 years, please consult our warranty policy at www.umbrosa.com
- Download owner's manual (QR-code included), also available at www.umbrosa.com
- Storage bag included (Sunbrella Flanelle)
- Wind speeds up to 5 beaufort, 30 km/h, 18 mph when base is permanently fixed
- Tested at TU Delft

SAFETY STATEMENTS & WARNINGS

- Product is suitable for light wind and/or light rain only.
- Position product in direction of wind as recommended in user manual.
- Do not use product in inclement weather, such as strong wind, thunderstorms, heavy rain or snow, and make sure that the umbrella is closed and stored in advance.
- Never allow the umbrella to flap in the wind. This could cause personal injury, damage to personal property, damage to umbrella and/or umbrella canopy.
- Close product and secure strap when not in use.
- Do not use product without its base or unless attached to building structure, and keep umbrella secured to umbrella base or mount at all times.
- Do not use product over or near harsh chemicals or open flames.
- Place product on stable and level surface.
- Do not allow children to assemble or operate product.
- Do not leave product unattended.
- Store product indoors during winter and extreme weather conditions.
- When adjusting or assembling the umbrella or umbrella base, make sure fingers, toes or any other parts of the body are clear from moving parts. Failing to do so may result in serious injury.
- Only use Umbrosa replacement parts.
- Read owner's manual.
- Any modifications to the product or failure to follow recommended care will void the warranty.
- Wind damage is not covered under our limited warranty.

The content of this document, in particular the mentioned models, is protected by copyrights and/or design rights. The present document and its content is communicated to you for information purposes only. Any partial or total reproduction or any other use without our prior written permission is strictly prohibited. This technical sheet remains subject to possible changes. Of course we do our best to eliminate all mistakes, but Umbrosa is not responsible for the errors in the documentation of products. All measurements are approximate and are provided for informational purposes only.

MODELS

FULL BLACK



Sunbrella
Black

RAL 9005
Black

ARCHITECTURE

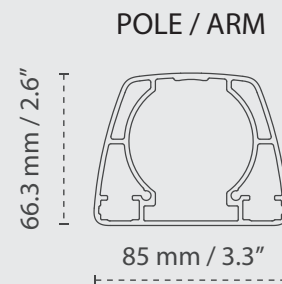
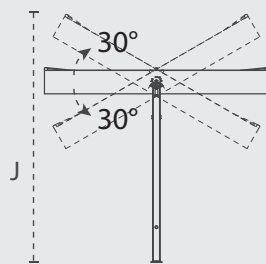
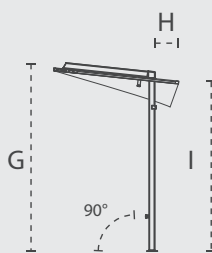
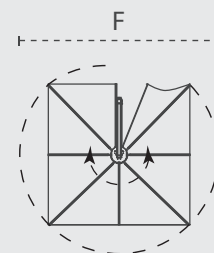
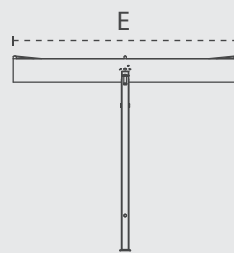
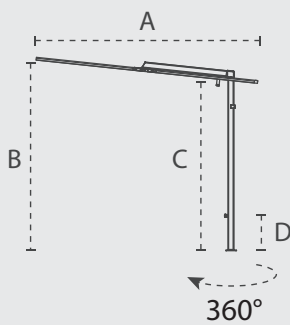


Sunbrella
Marble

RAL 9018
Papyrus
white

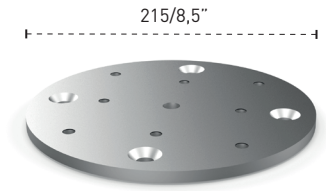
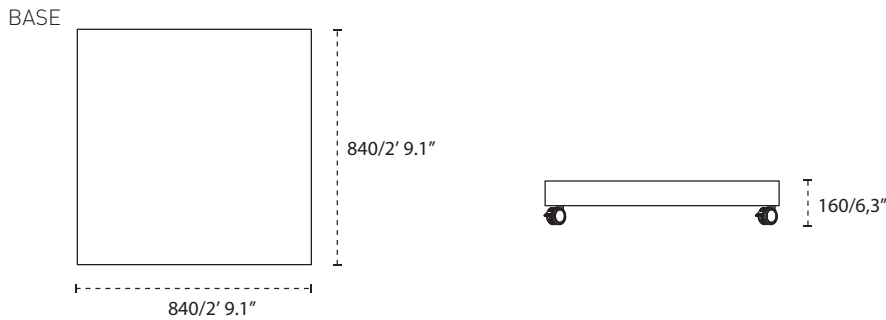
DIMENSIONS

NANO UX



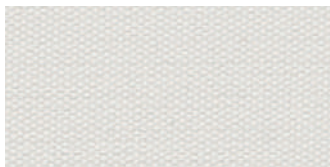
+/- 2% Tolerance	A cm/ft	B cm/ft	C cm/ft	D cm/ft	E cm/ft	F cm/ft	G cm/ft	H cm/inch	I cm/ft	J cm/ft
2.5m/8' 2"	250/8' 2"	210/7' 2.6"	190/6' 2.8"	39/1' 3.4"	250/8' 2.4"	355/11' 7.8"	210/6' 10.7"	30/ 11.8"	190/6' 2.8"	265/8' 8.3"

DIMENSIONS BASE AND BASEBLATE (MM/FT)



Baseplate for installation on a hard surface and combined with an anchorage on a soft surface.

MATERIALS



FABRIC

Sunbrella – 100% Acryl 260 gr/m²
More details – see spec sheet Fabrics



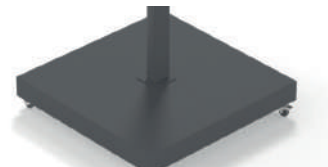
RIBS

Aluminum ribs



POLE, ARM AND HANDLES

Aluminum powder coated RAL 9005
Black or RAL 9018 Papyrus White



BASE

Base: hot dip galvanized steel
Cover: Aluminum Powder coated RAL 9005 or RAL 9018

PACKAGING & TRANSPORT

NANO UX	L (cm)	W (cm)	H (cm)	Weight (kg)	L (ft)	W (inch)	H (inch)	Weight (lbs)
Umbrella box	205	30	15	25	6' 8.7"	11.8"	5.5"	55
Base+Base cover	90	90	10	15	2' 11.4"	2' 11.4"	3.9"	33

NICE TO KNOW

- Spare parts available
- Designed and manufactured in Belgium
- Warranty between 10 and 2 years, please consult our warranty policy at www.umbrosa.com
- Download owner's manual (QR-code included), also available at www.umbrosa.com
- Storage bag included (Sunbrella Flanelle)
- Wind speeds up to 5 beaufort, 30 km/h, 18 mph when base is permanently fixed
- Tested at TU Delft

SAFETY STATEMENTS & WARNINGS

- Product is suitable for light wind and/or light rain only.
- Position product in direction of wind as recommended in user manual.
- Do not use product in inclement weather, such as strong wind, thunderstorms, heavy rain or snow, and make sure that the umbrella is closed and stored in advance.
- Never allow the umbrella to flap in the wind. This could cause personal injury, damage to personal property, damage to umbrella and/or umbrella canopy.
- Close product and secure strap when not in use.
- Do not use product without its base or unless attached to building structure, and keep umbrella secured to umbrella base or mount at all times.
- Do not use product over or near harsh chemicals or open flames.
- Place product on stable and level surface.
- Do not allow children to assemble or operate product.
- Do not leave product unattended.
- Store product indoors during winter and extreme weather conditions.
- When adjusting or assembling the umbrella or umbrella base, make sure fingers, toes or any other parts of the body are clear from moving parts. Failing to do so may result in serious injury.
- Only use Umbrosa replacement parts.
- Read owner's manual.
- Any modifications to the product or failure to follow recommended care will void the warranty.
- Wind damage is not covered under our limited warranty.

The content of this document, in particular the mentioned models, is protected by copyrights and/or design rights. The present document and its content is communicated to you for information purposes only. Any partial or total reproduction or any other use without our prior written permission is strictly prohibited. This technical sheet remains subject to possible changes. Of course we do our best to eliminate all mistakes, but Umbrosa is not responsible for the errors in the documentation of products. All measurements are approximate and are provided for informational purposes only.

CHARACTERISTICS	VALUES		UNITS	STANDARDS
	WARP	WEFT		

OVERALL CHARACTERISTICS

Composition	100% solution dyed acrylic		
Finish	Stain-resistant treatment: Exclusive Glen Raven formulation. Does not contain PFOS (perfluorooctanyl sulphonate)		
Weave	Weave		ISO 7211-1
Weight	260	g/m ²	ISO 3801
	6.17	lb/ft	
Width	137	cm	EN 1773
	53.94"	inch	

FABRIC STRENGTH

Tensile strength	160	80	daN	ISO 13934-1
Tear strength	7	3.7	daN	ISO 13937-1

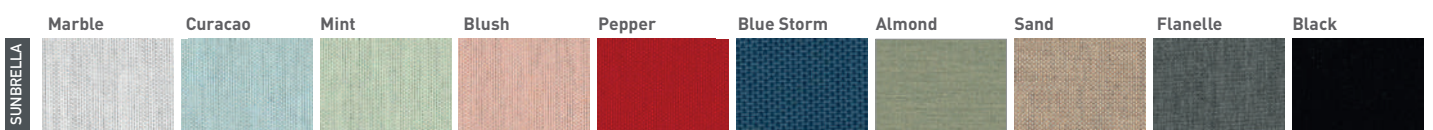
COLOR RESISTANCE

Color fastness UV	7/8	class/8	ISO 105 B02
Color fastness weather condition	7/8	class/8	ISO 105 B04

USE

Roll length	50	lm
	164	lf
Recommended use	parasols, cushions, upholstery	
Guarantee	3	Years
Temperature of use	-20 >> +70	°C
	-4 >> +158	°F

COLORS



Monitor/printer colors may vary. Please refer to actual fabric before making your final decision.

The content of this document, in particular the mentioned models, is protected by copyrights and/or design rights. The present document and its content is communicated to you for information purposes only. Any partial or total reproduction or any other use without our prior written permission is strictly prohibited. This technical sheet remains subject to possible changes. Of course we do our best to eliminate all mistakes, but Umbrosa is not responsible for the errors in the documentation of products. All measurements are approximate and are provided for informational purposes only.

CHARACTERISTICS	VALUES		UNITS	STANDARDS
	WARP	WEFT		

OVERALL CHARACTERISTICS

Composition	100% solution dyed acrylic		
Finish	Stain-resistant treatment: Exclusive Glen Raven formulation. Does not contain PFOS (perfluorooctanyl sulphonate)		
Weave	Weave		ISO 7211-1
Weight	255	g/m ²	ISO 3801
	6.05	lb/ft	
Width	137	cm	EN 1773
	53.94	inch	

FABRIC STRENGTH

Tensile strength	160	80	daN	ISO 13934-1
Tear strength	7	3.7	daN	ISO 13937-1

COLOR RESISTANCE

Color fastness UV	7/8	class/8	ISO 105 B02
Color fastness weather condition	7/8	class/8	ISO 105 B04

USE

Roll length	50	lm
	164	lf
Recommended use	parasols, cushions, upholstery	
Guarantee	3	Years
Temperature of use	-20 >> +70	°C
	-4 >> +158	°F

COLORS



Natural

Canvas

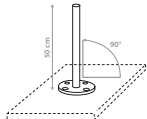

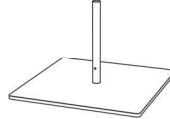
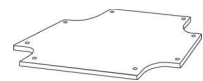




Grey

Taupe

Monitor/printer colors may vary. Please refer to actual fabric before making your final decision.



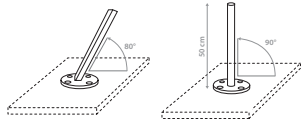
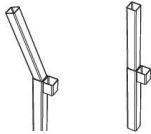

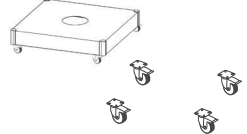









The content of this document, in particular the mentioned models, is protected by copyrights and/or design rights. The present document and its content is communicated to you for information purposes only. Any partial or total reproduction or any other use without our prior written permission is strictly prohibited. This technical sheet remains subject to possible changes. Of course we do our best to eliminate all mistakes, but Umbrosa is not responsible for the errors in the documentation of products. All measurements are approximate and are provided for informational purposes only.

Bases/fixations	Round support Infina	Concrete Anchorage	Infina base	Infina extra weight plate	Wheelset
					
LxWxH cm	Ø22 x 40	Ø22, H = 35	73 x 73 x 1,2	60 x 60	-
LxWxH ft	Ø7.2"x 1'3.7"	Ø7.2" H = 1'1.8"	2'4" x 2'4" x 0.5"	2' x 2'	-
Weight kg/lb product	2,9/6.4	4,5/9.9	50/110	20/44	-
LxWxH cm packaging	60 x 40 x 30	60 x 40 x 30	61 x 134	-	33 x 10 x 10
LxWxH ft packaging	1'9"x 1'3"x 1'	1'9"x 1'3"x 1'	2'2.2"x 2'1"x 1.6"	-	1'0.8"x 3.3"x 3.3"
Weight kg/lb packaging	3,8/8.4	4,8/10.58	40,5/89.3	-	1,5/3.3
Material	Galvanised steel	Galvanised steel	Galvanised steel - powder coated ALU Natural or RAL 8022 (Dusk)	Galvanised steel	
Good to know	Required for pole installation	Pit of 60 x 60 x 40 or 2"x 2"x 1'4" filled with concrete	Fits a tube of Ø 50 1'6"	-	Infina / Granite base 80 kg
INFINA					
 R0300	●	●	●	●	●
 SQ250	●	●	●	●	●
 SQ300	●	●	●	●	●

SAFETY STATEMENTS & WARNINGS

- Product is suitable for light wind and/or light rain only.
- Position product in direction of wind as recommended in user manual.
- Do not use product in inclement weather, such as strong wind, thunderstorms, heavy rain or snow, and make sure that the umbrella is closed and stored in advance.
- Never allow the umbrella to flap in the wind. This could cause personal injury, damage to personal property, damage to umbrella and/or umbrella canopy.
- Close product and secure strap when not in use.
- Do not use product without its base or unless attached to building structure, and keep umbrella secured to umbrella base or mount at all times.
- Do not use product over or near harsh chemicals or open flames.
- Place product on stable and level surface.
- Do not allow children to assemble or operate product.
- Do not leave product unattended.
- Store product indoors during winter and extreme weather conditions.
- When adjusting or assembling the umbrella or umbrella base, make sure fingers, toes or any other parts of the body are clear from moving parts. Failing to do so may result in serious injury.
- Only use Umbrosa replacement parts.
- Read owner's manual.
- Any modifications to the product or failure to follow recommended care will void the warranty.
- Wind damage is not covered under our limited warranty.

The content of this document, in particular the mentioned models, is protected by copyrights and/or design rights. The present document and its content is communicated to you for information purposes only. Any partial or total reproduction or any other use without our prior written permission is strictly prohibited. This technical sheet remains subject to possible changes. Of course we do our best to eliminate all mistakes, but Umbrosa is not responsible for the errors in the documentation of products. All measurements are approximate and are provided for informational purposes only.

Bases/fixations	Round support 80°/90°	Inground Anchorage 80°/90°	Concrete Anchorage	Tile base
				
LxWxH cm	Ø22, H = 50	90 x 19	Ø22, H = 35	85 x 85 x 17
LxWxH ft	Ø7.2" H = 1'6.4"	2'9.4" x 3.2"	Ø7.2" H = 1'1.8"	2'7.8"x2'7.8"x 6"
Weight kg/lb product	4/8.8	5,5/12.1	4,5/9.9	15,6/34.5 + 6/14
LxWxH cm packaging	60 x 40 x 30	na	60 x 40 x 30	86 x 86 x 17
LxWxH ft packaging	1'9" x 1'3" x 1'	na	1'9" x 1'3" x 1'	2'10" x 2'10" x 3.1"
Weight kg/lb packaging	4,3/9.4	na	4,8/10.58	15,95/35.1 + 6,38/14,6
Material	Galvanised steel	Galvanised steel	Galvanised steel	Galvanised steel and anodized aluminum plate 1,5 mm
Good to know	Required for pole installation	Pit of 60 x 60 x 40 or 2' x 2' x 1'4" filled with concrete	Pit of 60 x 60 x 40 or 2' x 2' x 1'4" filled with concrete	Fill with 12 tiles 400 x 400 x 38 mm/16"x16"x2" - weight 178 kg/392lb. Wheels optional.
PARAFLEX				
	•	•		•
	•	•		•
	•	•		
ICARUS				
	INCL		•	•
ECLIPSUM				
	INCL		•	•
SPECTRA				
	INCL		•	•
	INCL		•	•
	INCL		•	•
	INCL		•	